

DESCRIPTION

AMC MODEL SWN-2184-1A OPTIONS 0318, 45-068, HPR7W, -12VDC IS A SPST REFLECTIVE PIN-DIODE SWITCH/MODULATOR OPTIMIZED FOR A FREQUENCY RANGE OF 0.3 TO 18 GHz WITH THE HIGH POWER OPTION.

FEATURES

- 3.1 TO 3.5 GHz
- LOW LOSS
- HIGH POWER
- HIGH ISOLATION
- TTL LOGIC COMPATIBLE
- MINIATURE SIZE

SPECIFICATIONS

- FREQUENCY RANGE 0.3 TO 18 GHz
- INSERTION LOSS 2.5dB MAXIMUM
- ISOLATION 60dB MINIMUM
- VSWR 2.0:1
- RISE TIME 100ns MAXIMUM, 75ns TYPICAL
- RECOVERY TIME 250ns MAXIMUM, 220ns TYPICAL
- VIDEO-TRANSIENTS $\leq 2.0V$ PEAK TO PEAK, 300 MHz BANDWIDTH
 $\leq 2.0V$ PEAK TO PEAK, 20 MHz BANDWIDTH
- RF INPUT POWER 20 WATTS PEAK, 7 WATTS AVERAGE
- DC POWER (NO LOAD)
 - +V +5VDC @ 100mA
 - V -12VDC @ 50mA MAXIMUM
- SIZE 1.0" x 1.0" x 0.5"
- WEIGHT ≤ 1.0 OZ.

OPTIONS

- 0318 3.1 TO 3.5 GHz FREQUENCY RANGE
- 45-068 HIGH POWER OPTION
- HPR7W 10 WATT POWER OPTION
- -12VDC -12VDC

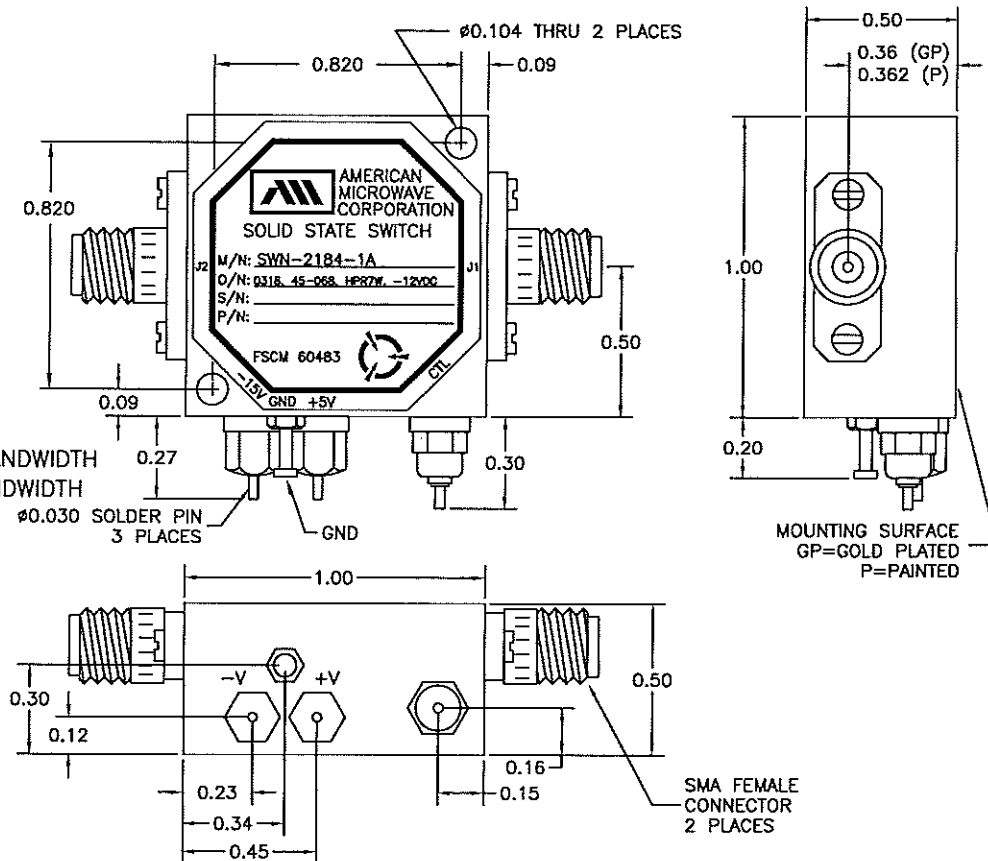
ENVIRONMENTAL RATINGS

- TEMPERATURE -55°C TO +85°C (OPERATING)
 -65°C TO +125°C (STORAGE)
- HUMIDITY MIL-STD-202F, METHOD 103B COND. B
- SHOCK MIL-STD-202F, METHOD 213B COND. B
- VIBRATION MIL-STD-202F, METHOD 204D COND. B
- ALTITUDE MIL-STD-202F, METHOD 105C COND. B
- TEMPERATURE CYCLE MIL-STD-202F, METHOD 107D COND. A

NOTE: SPECIFICATIONS WILL VARY OVER OPERATING TEMPERATURE
 NOTE: THE ABOVE SPECIFICATIONS ARE SUBJECT TO CHANGE OR REVISION

ALL DIMENSIONS ARE IN INCHES
 TOLERANCES:
 X.XX ±0.020
 X.XXX ±0.010

REVISIONS				
ZONE	REV.	DESCRIPTION	DATE	APPROVED
		ORIGINAL RELEASE JOB# 712249PE	01/08/08	<i>AK</i>



AMERICAN MICROWAVE CORPORATION

7311-G GROVE ROAD
 FREDERICK, MARYLAND 21704 USA
 TEL: 301-662-4700 FAX: 301-662-4938
 WEBSITE: www.americanmicrowavecorp.com
 E-MAIL: sales@americanmicrowavecorp.com
 ISO 9001:2000 CERTIFIED

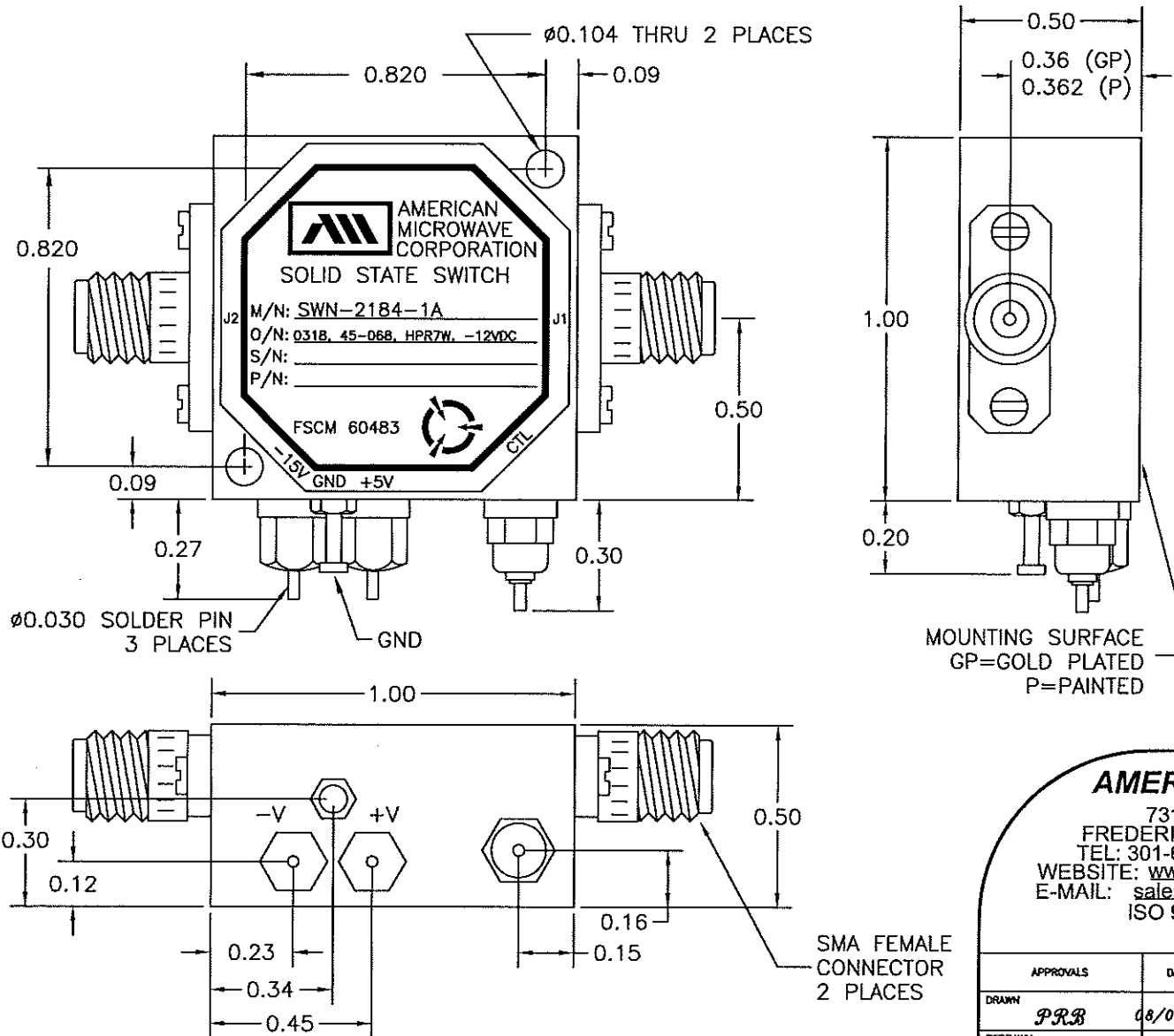


APPROVALS		DATE	TITLE			REV.
DRAWN	<i>PRB</i>	08/08/06	PRODUCT FEATURE SWN-2184-1A			
REDRAWN	<i>RA</i>	09/12/06	OPTION: 0318, 45-068, HPR7W, -12VDC 0.3 TO 18 GHz SPST REFLECTIVE PIN-DIODE SWITCH			
ISSUED			SIZE	FSCM NO.	DWG NO.	
			A	60483	100-6986-4	-
			SCALE	N:1	SHEET	1 OF 4

DESCRIPTION

AMC MODEL SWN-2184-1A OPTIONS 0318, 45-068, HPR7W, -12VDC. IS A SPST REFLECTIVE PIN-DIODE SWITCH/MODULATOR OPTIMIZED FOR A FREQUENCY RANGE OF 0.3 TO 18 GHz WITH THE HIGH POWER OPTION.

MECHANICAL OUTLINE



AMERICAN MICROWAVE CORPORATION

7311-G GROVE ROAD
FREDERICK, MARYLAND 21704 USA
TEL: 301-662-4700 FAX: 301-662-4938
WEBSITE: www.americanmicrowavecorp.com
E-MAIL: sales@americanmicrowavecorp.com
ISO 9001:2000 CERTIFIED

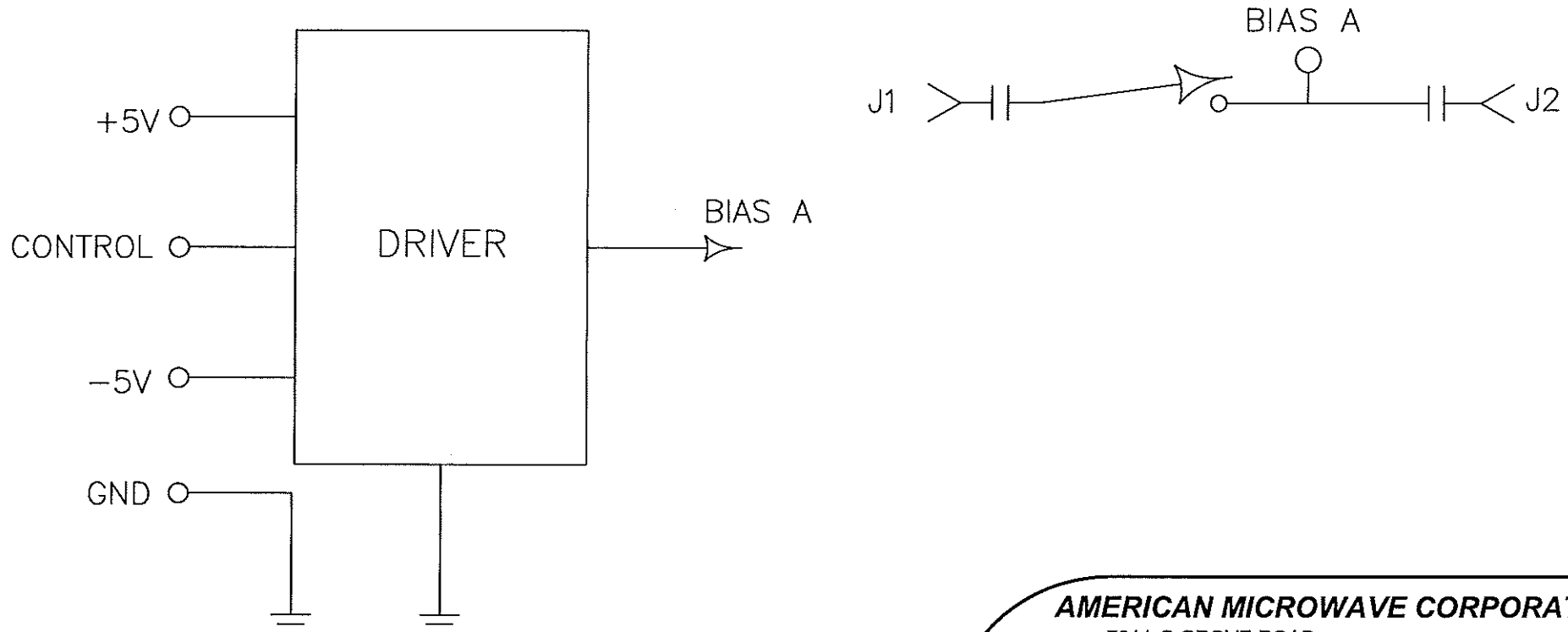


APPROVALS		DATE	TITLE			REV.
DRAWN	<i>PRB</i>	08/08/06	PRODUCT FEATURE SWN-2184-1A			-
REDRAWN	<i>RA</i>	09/12/06	OPTION: 0318, 45-068, HPR7W, -12VDC 0.3 TO 18 GHz SPST REFLECTIVE PIN-DIODE SWITCH			-
ISSUED			SIZE A	FSCM NO. 60483	DWG NO. 100-6986-4	
			SCALE N:S	SHEET		2 OF 4

DESCRIPTION

AMC MODEL SWN-2184-1A OPTIONS 0318, 45-068 , HPR7W, -12VDC IS A SPST REFLECTIVE PIN-DIODE SWITCH/MODULATOR OPTIMIZED FOR A FREQUENCY RANGE OF 0.3 TO 18 GHZ WITH THE HIGH POWER OPTION.

FUNCTIONAL BLOCK DIAGRAM



CONFIDENTIAL AND PROPRIETARY

AMERICAN MICROWAVE CORPORATION

7311-G GROVE ROAD
 FREDERICK, MARYLAND 21704 USA
 TEL: 301-662-4700 FAX: 301-662-4938
 WEBSITE: www.americamicrowavecorp.com
 E-MAIL: sales@americamicrowavecorp.com
 ISO 9001:2000 CERTIFIED



APPROVALS		DATE		TITLE			
DRAWN		08/08/06		PRODUCT FEATURE			
REDRAWN		09/12/06		SWN-2184-1A			
ISSUED				OPTION: 0318, 45-068, HPR7W, -12VDC			
				0.3 TO 18 GHZ SPST REFLECTIVE PIN-DIODE SWITCH			
		SIZE	FSCM NO.	DWG NO.		REV.	
		A	60483	100-6986-4		-	
		SCALE N:S		SHEET		3 OF 4	